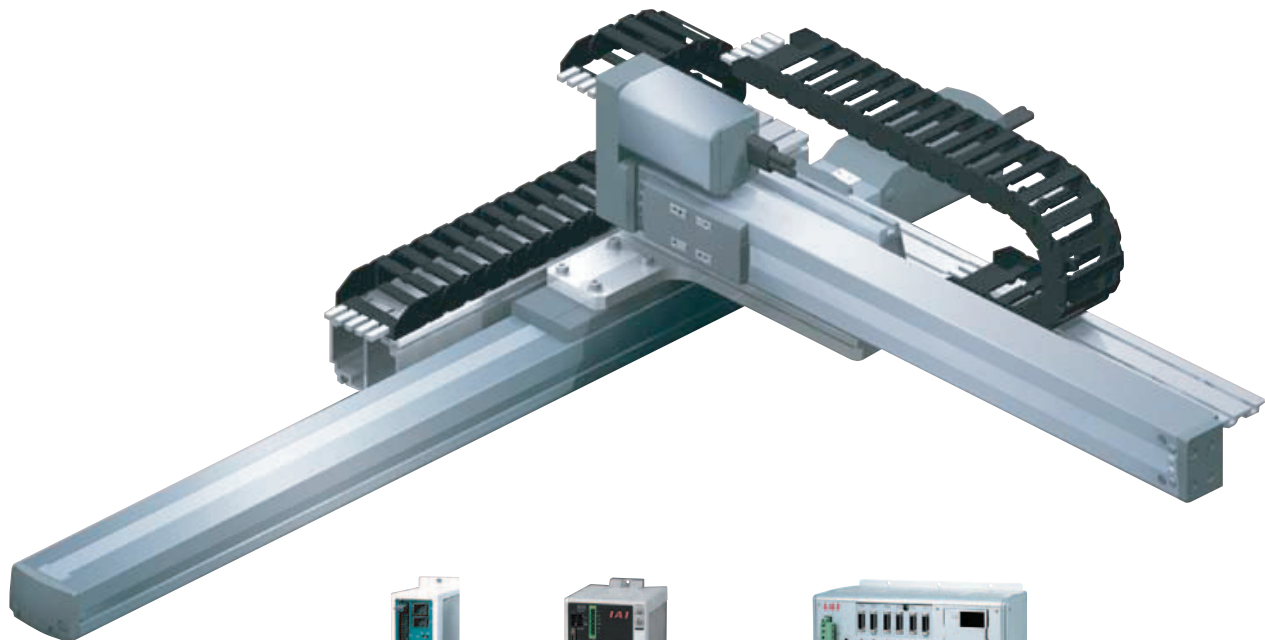


New Cartesian ROBO Cylinder Series IK

ROBO CYLINDER



1-2-axis program controller that achieves high cost performance.

High-performance 1-6-axis program controller.

PSEL SSEL

X-SEL

RCP2 Axes Combined

- **2-Axis Pulse Motor System IK2-P**
x: RCP2 - SS7(8)C/R y: RCP2-SA5(6)(7)R
- **3-Axis Pulse Motor System IK3-P**
x: RCP2-SS8R y: RCP2-SA7R z: RCP2-SA6R

RCS2 Axes Combined

- **2-Axis Servo Motor System IK2-S**
x: RCS2-SS7(8)C/R y: RCS2-SA5(6)(7)(8)R
- **3-Axis Servo Motor System IK3-S**
x: RCS2-SS8R y: RCS2-SA7R z: RCS2-SA6R

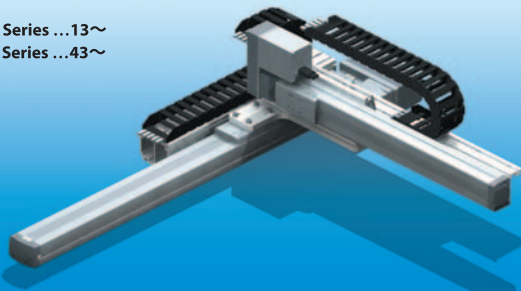
Wide-ranging Lineup Lineup of IK Series

Combinations

XYB (XY, base mount)

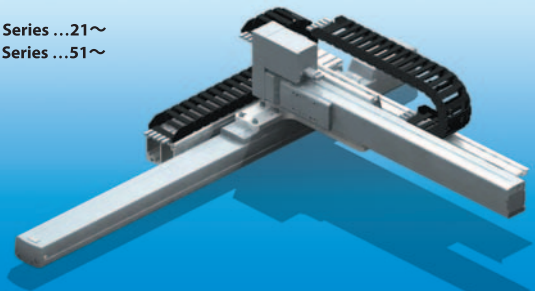
Page

IK2-PXBD Series ...13~
IK2-SXBD Series ...43~



Page

IK2-PXBC Series ...21~
IK2-SXBC Series ...51~



• IK2-PXBD Series • IK2-SXBD Series

		Maximum X-axis stroke	Maximum Y-axis stroke	Load capacity at maximum Y-axis stroke
Single-slider	Y high-speed type	600mm	200mm	2.5kg
	Y medium-speed type	600mm	200mm	5.0kg
Double-slider	Y high-speed type	450mm	400mm	2.0kg
	Y medium-speed type	450mm	400mm	4.0kg

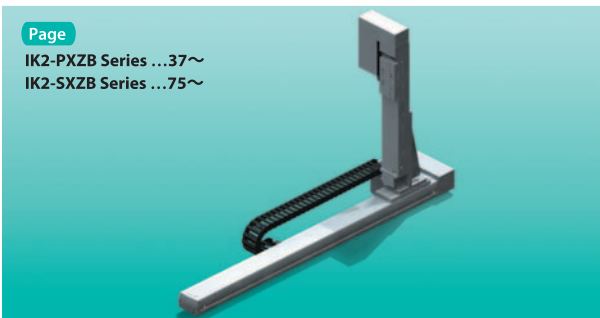
• IK2-PXBC Series • IK2-SXBC Series

		Maximum X-axis stroke	Maximum Y-axis stroke	Load capacity at maximum Y-axis stroke
Single-slider	Y high-speed type	600mm	200mm	3.0kg
	Y medium-speed type	600mm	200mm	6.0kg
Double-slider	Y high-speed type	450mm	400mm	3.0kg
	Y medium-speed type	450mm	400mm	6.0kg

XZ (Upright type)

Page

IK2-PXZB Series ...37~
IK2-SXZB Series ...75~



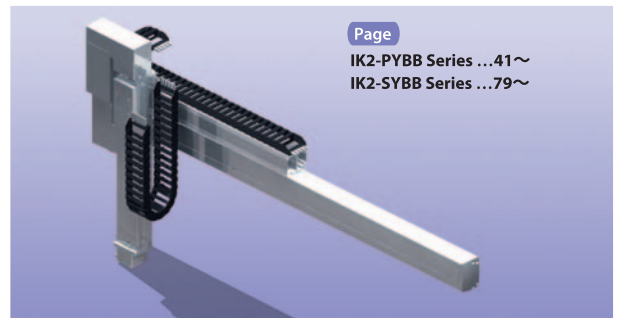
• IK2-PXZB Series • IK2-SXZB Series

		Maximum X-axis stroke	Maximum Z-axis stroke	Load capacity at maximum Y-axis stroke
Single-slider	X high-speed/Z high-speed type	1,000mm	250mm	1.5kg
	X high-speed/Z medium-speed type	1,000mm	250mm	2.5kg
	X high-speed/Z low-speed type	1,000mm	250mm	3.0kg
Double-slider	X high-speed/Z high-speed type	800mm	300mm	1.5kg
	X high-speed/Z medium-speed type	800mm	300mm	3.0kg
	X high-speed/Z low-speed type	800mm	300mm	5.5kg

YZB (Cross type, base mount)

Page

IK2-PYBB Series ...41~
IK2-SYBB Series ...79~

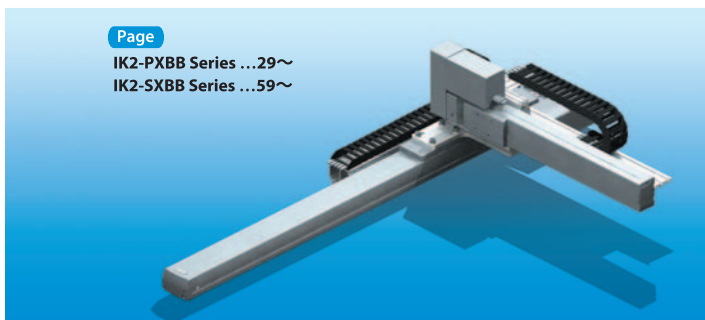


• IK2-PYBB Series • IK2-SYBB Series

		Maximum X-axis stroke	Maximum Z-axis stroke	Load capacity at maximum Y-axis stroke
Single-slider	X high-speed/Z high-speed type	1,000mm	300mm	1.5kg
	X high-speed/Z medium-speed type	1,000mm	300mm	3.0kg
	X high-speed/Z low-speed type	1,000mm	300mm	5.5kg

IK2-P Series / IK3-P Series ROBO Cylinder RCP2 combinations based on pulse motor

IK2-S Series / IK3-S Series ROBO Cylinder RCS2 combinations based on servo motor

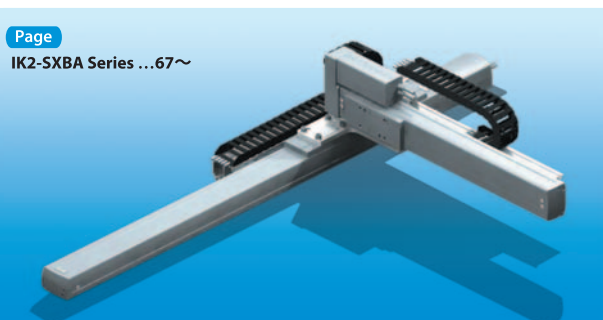


Page

IK2-PXBB Series ...29~
IK2-SXBB Series ...59~

Page

IK2-SXBA Series ...67~



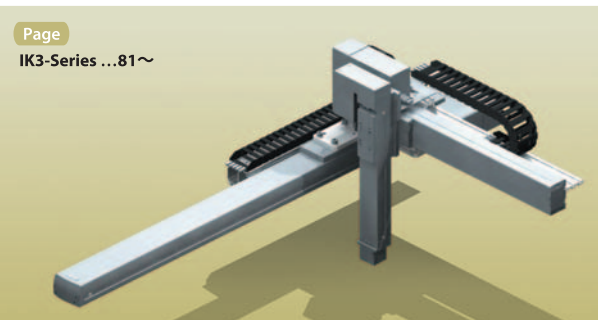
• IK2-PXBB Series • IK2-SXBB Series

		Maximum X-axis stroke	Maximum Y-axis stroke	Load capacity at maximum Y-axis stroke
Single-slider	High-speed type	1,000mm	300mm	6.0kg
	Medium-speed type	1,000mm	300mm	8.0kg
Double-slider	High-speed type	800mm	400mm	5.5kg
	Medium-speed type	800mm	400mm	10.5kg

• IK2-SXBA Series

		Maximum X-axis stroke	Maximum Y-axis stroke	Load capacity at maximum Y-axis stroke
Single-slider	High-speed type	1,000mm	350mm	7.0kg
	Medium-speed type	1,000mm	200mm	12.5kg
Double-slider	High-speed type	800mm	400mm	10.0kg
	Medium-speed type	800mm	400mm	11.5kg

3-axis type (XYB+Z, base mount)



Page

IK3-Series ...81~

• IK3 Series

		Maximum X-axis stroke	Maximum Y-axis stroke	Maximum Z-axis stroke	Load capacity at maximum Y-axis stroke
Single-slider	X high-speed/Y high-speed/Z high-speed type	1,000mm	300mm	200mm	1.0kg
	X high-speed/Y high-speed/Z medium-speed type	1,000mm	300mm	200mm	2.0kg
	X high-speed/Y high-speed/Z low-speed type	1,000mm	300mm	200mm	4.0kg
Double-slider	X high-speed/Y high-speed/Z high-speed type	800mm	400mm	200mm	1.0kg
	X high-speed/Y high-speed/Z medium-speed type	800mm	400mm	200mm	2.0kg
	X high-speed/Y high-speed/Z low-speed type	800mm	400mm	200mm	4.0kg

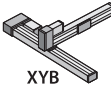
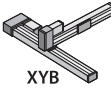
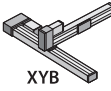
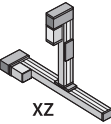
2-axis combination – Axis configurations

	Axis 1	Axis 2
IK2-PXBD	RCP2-SS7□	RCP2-SA5R
IK2-SXBD	RCS2-SS7□	RCS2-SA5R
IK2-PXBC	RCP2-SS7□	RCP2-SA6R
IK2-SXBC	RCS2-SS7□	RCS2-SA6R
IK2-PXBB	RCP2-SS8□	RCP2-SA7R
IK2-SXBB	RCS2-SS8□ (100W)	RCS2-SA7R
IK2-SXBA	RCS2-SS8□ (150W)	RCS2-SS8R (100W)
IK2-PXZB	RCP2-SS8□	RCP2-SA7R
IK2-SXZB	RCS2-SS8□ (100W)	RCS2-SA7R
IK2-PYBB	RCP2-SS8□	RCP2-SA7R
IK2-SYBB	RCS2-SS8□ (100W)	RCS2-SA7R

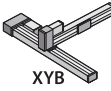
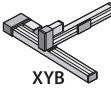
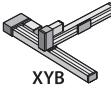
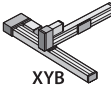
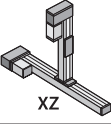
3-axis combination – Axis configurations

	X axis	Y axis	Z axis
IK3	RCP2-SS8□	RCP2-SA7R	RCP2-SA6R
	RCS2-SS8□ (100W)	RCS2-SA7R	RCS2-SA6R

RCP2 Combination Unit List for 2-axis Configuration (XYB) (□ in the model names indicates a value from 1 to 4 specifying the combination direction. For the combination directions, refer to P.10.)

Page	Combination model	Combined shape	Type	Axis 1				Axis 2					
				Motor size	Lead (mm)	Maximum speed (mm/sec)	Stroke (mm)	Type					
13	IK2-PXBD1□HHS		SS7R Reversed	42□	12	400	50-600	SA5R Reversed					
	IK2-PXBD1□HMS				12	350							
15	IK2-PXBD1□HHD		SS7R Reversed, double-slider		12	400	50-450						
	IK2-PXBD1□HMD				12	350							
17	IK2-PXBD2□HHS		SS7C Straight		12	400	50-600						
	IK2-PXBD2□HMS				12	350							
19	IK2-PXBD2□HHD		SS7C Straight, double-slider		12	400	50-450						
	IK2-PXBD2□HMD				12	350							
21	IK2-PXBC1□HHS				SS7R Reversed	42□	12			400	50-600	SA6R Reversed	
	IK2-PXBC1□HMS						12			250			
23	IK2-PXBC1□HHD				SS7R Reversed, double-slider		12			400	50-450		
	IK2-PXBC1□HMD						12			250			
25	IK2-PXBC2□HHS	SS7C Straight		12	400		50-600						
	IK2-PXBC2□HMS			12	250								
27	IK2-PXBC2□HHD	SS7C Straight, double-slider		12	400		50-450						
	IK2-PXBC2□HMD			12	250								
29	IK2-PXBB1□HHS			SS8R Reversed	56□		20	250	50-1000	SA7R Reversed			
	IK2-PXBB1□MMS						10	125					
31	IK2-PXBB1□HHD			SS8R Reversed, double-slider			20	250	50-800				
	IK2-PXBB1□MMD						10	125					
33	IK2-PXBB2□HHS		SS8C Straight	20		250	50-1000						
	IK2-PXBB2□MMS			10		125							
35	IK2-PXBB2□HHD		SS8C Straight, double-slider	20		250	50-800						
	IK2-PXBB2□MMD			10		125							
37	IK2-PXZB1□HHS			SS8R Reversed		56□	20	250	50-1000			SA7R Reversed	
	IK2-PXZB1□HMS												
39	IK2-PXZB1□HHD			SS8R Reversed, double-slider					50-800				
	IK2-PXZB1□HMD												
41	IK2-PYBB1□HHS	SS8R Reversed		50-1000									
	IK2-PYBB1□HMS												
	IK2-PYBB1□HLS												

RCS2 Combination Unit List for 2-axis Configuration (XYB) (□ in the model names indicates a value from 1 to 4 specifying the combination direction. For the combination directions, refer to P.10.)

Page	Combination model	Combined shape	Type	Axis 1				Axis 2					
				Motor output (W)	Lead (mm)	Maximum speed (mm/sec)	Stroke (mm)	Type					
43	IK2-SXBD1□HHS		SS7R Reversed	60	12	600	50-600	SA5R Reversed					
	IK2-SXBD1□HMS				12	600							
45	IK2-SXBD1□HHD		SS7R Reversed, double-slider		12	600	50-450						
	IK2-SXBD1□HMD				12	600							
47	IK2-SXBD2□HHS		SS7C Straight		12	600	50-600						
	IK2-SXBD2□HMS				12	600							
49	IK2-SXBD2□HHD		SS7C Straight, double-slider		12	600	50-450						
	IK2-SXBD2□HMD				12	600							
51	IK2-SXBC1□HHS				SS7R Reversed	60	12			600	50-600	SA6R Reversed	
	IK2-SXBC1□MMS						6			300			
53	IK2-SXBC1□HHD				SS7R Reversed, double-slider		12			600	50-450		
	IK2-SXBC1□MMD						6			300			
55	IK2-SXBC2□HHS	SS7C Straight		12	600		50-600						
	IK2-SXBC2□MMS			6	300								
57	IK2-SXBC2□HHD	SS7C Straight, double-slider		12	600		50-450						
	IK2-SXBC2□MMD			6	300								
59	IK2-SXBB1□HHS			SS8R (100W) Reversed	100		20	1000	50-1000	SA7R Reversed			
	IK2-SXBB1□MMS						10	500					
61	IK2-SXBB1□HHD			SS8R (100W) Reversed, double-slider			20	1000	50-800				
	IK2-SXBB1□MMD						10	500					
63	IK2-SXBB2□HHS		SS8C (100W) Straight	20		1000	50-1000						
	IK2-SXBB2□MMS			10		500							
65	IK2-SXBB2□HHD		SS8C (100W) Straight, double-slider	20		1000	50-800						
	IK2-SXBB2□MMD			10		500							
67	IK2-SXBA1□HHS			SS8R (150W) Reversed		150	20	1000	50-1000			SS8R (100W) Reversed	
	IK2-SXBA1□MMS						10	500					
69	IK2-SXBA1□HHD			SS8R (150W) Reversed, double-slider			20	1000	50-800				
	IK2-SXBA1□MMD						10	500					
71	IK2-SXBA2□HHS	SS8C (150W) Straight		20	1000		50-1000						
	IK2-SXBA2□MMS			10	500								
73	IK2-SXBA2□HHD	SS8C (150W) Straight, double-slider		20	1000		50-800						
	IK2-SXBA2□MMD			10	500								
75	IK2-SXZB1□HHS			SS8R (100W) Reversed	100		20	1000	50-1000	SA7R Reversed			
	IK2-SXZB1□HMS												
77	IK2-SXZB1□HHD			SS8R (100W) Reversed, double-slider					50-800				
	IK2-SXZB1□HMD												
79	IK2-SYBB1□HHS		SS8R (100W) Reversed	50-1000									
	IK2-SYBB1□HMS												
	IK2-SYBB1□HLS												

Axis 2				Load capacity by axis 2 stroke							
Motor size	Lead (mm)	Maximum speed (mm/sec)	Stroke (mm)	50	100	150	200	250	300	350	400
42 □	12	600	50-200	3.0	3.0	2.5	2.5				
	6	300	50-200	6.0	6.0	5.0	5.0				
	12	600	250-400					2.5	2.0	2.0	2.0
	6	300	250-400					5.0	4.0	4.0	4.0
	12	600	50-200	3.0	3.0	2.5	2.5				
	6	300	50-200	6.0	6.0	5.0	5.0				
	12	600	250-400					2.5	2.0	2.0	2.0
	6	300	250-400					5.0	4.0	4.0	4.0
42 □	12	600	50-200	4.5	4.5	4.0	3.0				
	6	300	50-200	9.0	9.0	8.0	6.0				
	12	600	250-400					3.0	3.0	3.0	3.0
	6	300	250-400					6.0	6.0	6.0	6.0
	12	600	50-200	4.5	4.5	4.0	3.0				
	6	300	50-200	9.0	9.0	8.0	6.0				
	12	600	250-400					3.0	3.0	3.0	3.0
	6	300	250-400					6.0	6.0	6.0	6.0
56 □	16	450	50-300	8.0	8.0	7.0	7.0	6.0	6.0		
	8	220	50-300	16.0	16.0	15.0	12.5	9.0	8.0		
	16	450	350-400							6.0	5.5
	8	220	200-400				15.0	12.5	12.5	12.0	10.5
	16	450	50-300	8.0	8.0	7.0	7.0	6.0	6.0		
	8	220	50-300	16.0	16.0	15.0	12.5	9.0	8.0		
	16	450	350-400							6.0	5.5
	8	220	200-400				15.0	12.5	12.5	12.0	10.5
56 □	16	360	50-250	2.0	2.0	2.0	2.0	1.5			
	8	180	50-250	4.0	4.0	3.5	3.5	2.5			
	4	90	50-250	8.0	7.0	5.0	4.0	3.0			
	16	400	300						1.5		
	8	200	300						3.0		
	4	100	150-300			7.0	7.0	5.5	5.5		
	16	360	50-300	2.0	2.0	2.0	2.0	1.5	1.5		
	8	180	50-300	4.0	4.0	3.5	3.5	3.0	3.0		
	4	90	50-300	8.0	8.0	7.0	7.0	6.0	5.5		

Axis 2				Load capacity by axis 2 stroke							
Motor output (W)	Lead (mm)	Maximum speed (mm/sec)	Stroke (mm)	50	100	150	200	250	300	350	400
20	12	800	50-200	3.0	3.0	2.5	2.5				
	6	400	50-200	6.0	6.0	5.0	5.0				
	12	800	250-400					2.5	2.0	2.0	2.0
	6	400	250-400					5.0	4.0	4.0	4.0
	12	800	50-200	3.0	3.0	2.5	2.5				
	6	400	50-200	6.0	6.0	5.0	5.0				
	12	800	250-400					2.5	2.0	2.0	2.0
	6	400	250-400					5.0	4.0	4.0	4.0
30	12	800	50-200	4.5	4.5	4.0	3.0				
	6	400	50-200	9.0	9.0	8.0	6.0				
	12	800	250-400					3.0	3.0	3.0	3.0
	6	400	250-400					6.0	6.0	6.0	6.0
	12	800	50-200	4.5	4.5	4.0	3.0				
	6	400	50-200	9.0	9.0	8.0	6.0				
	12	800	250-400					3.0	3.0	3.0	3.0
	6	400	250-400					6.0	6.0	6.0	6.0
60	16	800	50-300	8.0	8.0	7.0	7.0	6.0	6.0		
	8	400	50-300	16.0	16.0	15.0	12.5	9.0	8.0		
	16	800	350-400							6.0	5.5
	8	400	200-400				15.0	12.5	12.5	12.0	10.5
	16	800	50-300	8.0	8.0	7.0	7.0	6.0	6.0		
	8	400	50-300	16.0	16.0	15.0	12.5	9.0	8.0		
	16	800	350-400							6.0	5.5
	8	400	200-400				15.0	12.5	12.5	12.0	10.5
100	20	1000	50-350	12.0	12.0	11.5	11.0	10.0	8.5	7.0	
	10	500	50-350	24.0	20.5	15.5	12.5				
	20	1000	300-400						11.0	10.5	10.0
	10	500	100-400		24.0	24.0	23.0	19.0	16.0	13.5	11.5
	20	1000	50-350	12.0	12.0	11.5	11.0	10.0	8.5	7.0	
	10	500	50-350	24.0	20.5	15.5	12.5				
	20	1000	300-400						11.0	10.5	10.0
	10	500	100-400		24.0	24.0	23.0	19.0	16.0	13.5	11.5
60	16	800	50-250	2.0	2.0	2.0	2.0	1.5			
	8	400	50-250	4.0	4.0	3.5	3.5	2.5			
	4	200	50-250	8.0	7.0	5.0	4.0	3.0			
	16	800	300						1.5		
	8	400	300						3.0		
	4	200	150-300			7.0	7.0	5.5	5.5		
	16	800	50-300	2.0	2.0	2.0	2.0	1.5	1.5		
	8	400	50-300	4.0	4.0	3.5	3.5	3.0	3.0		
4	200	50-300	8.0	8.0	7.0	7.0	6.0	5.5			

RCP2 Combination Unit List for 3-axis Configuration (XYB+Z-axes, base mount) (□ in the model names indicates a value from 1 to 4 specifying the combination direction. For the combination directions, refer to P. 10.)

Page	Combination model	Combined shape	X axis					Y axis	
			Type	Motor size	Lead (mm)	Maximum speed (mm/sec)	Stroke (mm)	Type	
81	IK3-PBBG1□HHHS	XYB+Z, base mount	SS8R Reversed, single-slider	56□	20	220	50-1000	SA7R Reversed	
	IK3-PBBG1□HHMS								
	IK3-PBBG1□HHLS								
83	IK3-PBBG1□HHHD		SS8R Reversed, double-slider				50-800		
	IK3-PBBG1□HHMD								
	IK3-PBBG1□HHLD								

RCS2 Combination Unit List for 3-axis Configuration (XYB+Z-axes, base mount) (□ in the model names indicates a value from 1 to 4 specifying the combination direction. For the combination directions, refer to P. 10.)

Page	Combination model	Combined shape	X axis				Y axis		
			Type	Motor output (W)	Lead (mm)	Maximum speed (mm/sec)	Stroke (mm)	Type	
85	IK3-SBBG1□HHHS	XYB+Z, base mount	SS8R (100W) Reversed, single-slider	100	20	1000	50-1000	SA7R Reversed	
	IK3-SBBG1□HHMS								
	IK3-SBBG1□HHLS								
88	IK3-SBBG1□HHHD		SS8R (100W) Reversed, double-slider				50-800		
	IK3-SBBG1□HHMD								
	IK3-SBBG1□HHLD								

Tips on Selection

1. Differences between RCP2 and RCS2

Features of RCP2

- [1] Adopting a pulse motor.
- [2] Characterized by high thrust at low speed.
- [3] Less expensive than the RCS2.

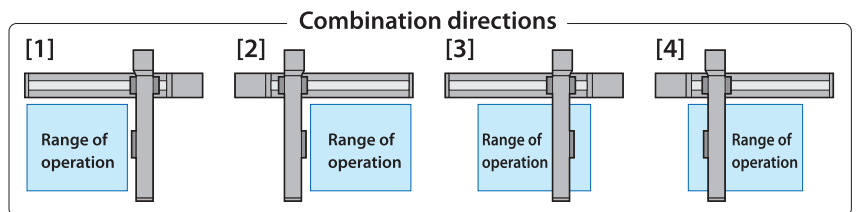
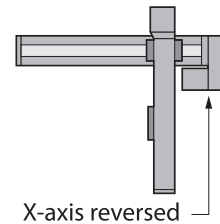
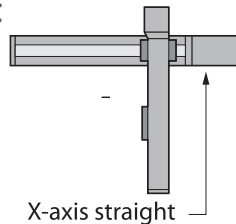


Features of RCS2

- [1] Adopting a servo motor.
- [2] Able to operate at a constant thrust regardless of the speed.
- [3] Able to move at higher speeds than the RCP2.

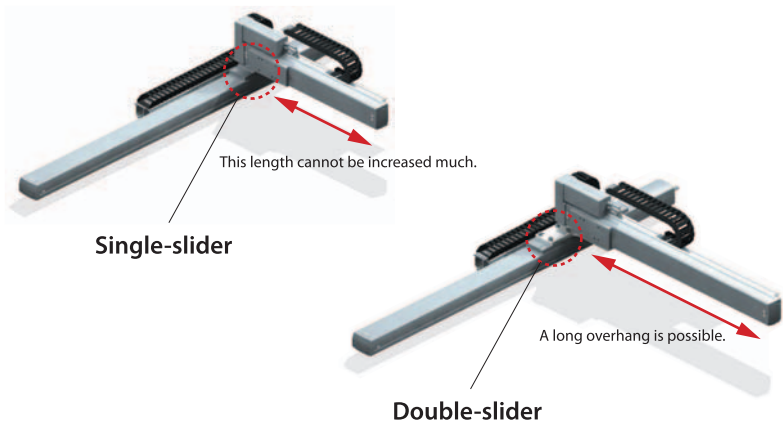
2. Differences between X-axis Straight and Reversed Types

The X-axis reversed type can have a shorter dimension in the X-axis direction. When the 150-watt RCS2-SS8C (straight) and 150-watt SS8R (reversed) are compared, for example, the SS8R is shorter by 130 mm. Note, however, that the reversed type does not support configurations based on combination directions [3] and [4].



3. Differences between Single-slider and Double-slider Types

A double-slider consists of two sliders connected to each other and has a greater permissible load moment compared to a single-slider type. Accordingly, double-slider units are used as the X-axis in XY configurations with a long overhang. Note, however, that because the double-slider structure naturally has a longer slider section, a double-slider unit has a shorter stroke than a single-slider unit of the same total length.



Y axis				Z axis				Load capacity by Y-axis stroke								
Motor size	Lead (mm)	Maximum speed (mm/sec)	Stroke (mm)	Type	Motor size	Lead (mm)	Maximum speed (mm/sec)	Stroke (mm)	50	100	150	200	250	300	350	400
56□	16	420	50-300	SA6R Reversed	42□	12	500	50-200	1.0							
						6	250		2.0							
			3			125	4.0									
			12			500	1.0									
			6			250	2.0									
			3			125	4.0									
			350-400													

Y axis				Z axis				Load capacity by Y-axis stroke								
Motor output (W)	Lead (mm)	Maximum speed (mm/sec)	Stroke (mm)	Type	Motor output (W)	Lead (mm)	Maximum speed (mm/sec)	Stroke (mm)	50	100	150	200	250	300	350	400
60	16	800	50-300	SA6R Reversed	30	12	800	50-200	1.0							
						6	400		2.0							
			3			200	4.0									
			12			800	1.0									
			6			400	2.0									
			3			200	4.0									
			350-400													

Explanation of Items Comprising Model Name

[IK kit, 2-axis combination unit]

IK2-□□□□□□-□-□□□□□□□□□□□□□□

[1] [2] [3] [4] [5] [6] [7] [8] [9] [10] [11] [14] [15] [16] [17] [18]

[IK kit, 3-axis combination unit]

IK3-□□□□□□-□-□□□□□□□□□□□□□□

[1] [2] [3] [4] [5] [6] [7] [8] [9] [10] [11] [12] [13] [14] [15] [16] [17] [18]

[1]Axis configuration [2]Combined shape

Code	Model
P	RCP2
S	RCS2

Code	Combined shape	Name
XB	XYB	XY, base mount
XZ	XZ	Upright type
YB	YZB	Cross type, base mount
BB	XYB+ZB	XYB+Z, base mount

[3]Configuration type

Code	Axis 1	Axis 2	Axis 3
A1	SS8R (150W)	SS8R (100W)	
A2	SS8C (150W)	SS8R (100W)	
B1	SS8R (100W)	SA7R	
B2	SS8C (100W)	SA7R	
C1	SS7R	SA6R	
C2	SS7C	SA6R	
D1	SS7R	SA5R	
D2	SS7C	SA5R	
G1	SS8R (100W)	SA7R	SA6R

[4]Combination directions

XYB (XY, base mount) *Only 1 and 2 are supported if the X-axis is of reversed type.

Code	1	2	3	4
Shape				

XZ (Upright type)

Code	1	2	3	4
Shape				

YZB (Cross type, base mount)

Code	1	2
Shape		

[5]Speed type

Code	Type		
HH	High-speed	High-speed	
HM	High-speed	Medium-speed	
HL	High-speed	Low-speed	
MM	Medium-speed	Medium-speed	
HHH	High-speed	High-speed	High-speed
HHM	High-speed	High-speed	Medium-speed
HHL	High-speed	High-speed	Low-speed

[6]X-Axis Slider Type

Code	Type
S	Single
D	Double

[7]Encoder Type

Code	Type
I	Incremental
A	Absolute

The combination directions supported by the 3-axis configuration (XYB+Z-axes, base mount) are the same as those of the XYB configuration shown above.

[8]Axis 1 stroke (cm)

5:50mm-100:1000mm

(Can be set in 50-mm increments)

[10]Axis 2 stroke (cm)

5:50mm-40:400mm

(Can be set in 50-mm increments)

[12]Axis 3 stroke (cm)

5:50mm-20:200mm

(Can be set in 50-mm increments)

[9]Axis 1 options

Code	Description
NM	Opposite-home specification
SR	Slider roller specification

[11]Axis 2 options

Code	Description
B	Brake
NM	Opposite-home specification
SR	Slider roller specification

[13]Axis 3 options

Code	Description
B	Brake
NM	Opposite-home specification
SR	Slider roller specification

Axis 1: Mount axis
Axis 2: Axis installed on axis 1
Axis 3: Axis 3: Axis installed on axis 2
Cable wiring 1: Wiring for axis 2
Cable wiring 2: Wiring for axis 3

[14]Applicable controller

Code	Model
T1	XSEL-J/K
T2	SSEL, XSEL-P/Q
P1	PSEL, ROBONET

[15]Cable length

Code	Description
1L	1m
3L	3m
5L	5m
<input type="checkbox"/> L	<input type="checkbox"/> m

[16]Cable wiring 1

Code	Description
N	Cable only
CT	With cable track

[17]Cable wiring 2

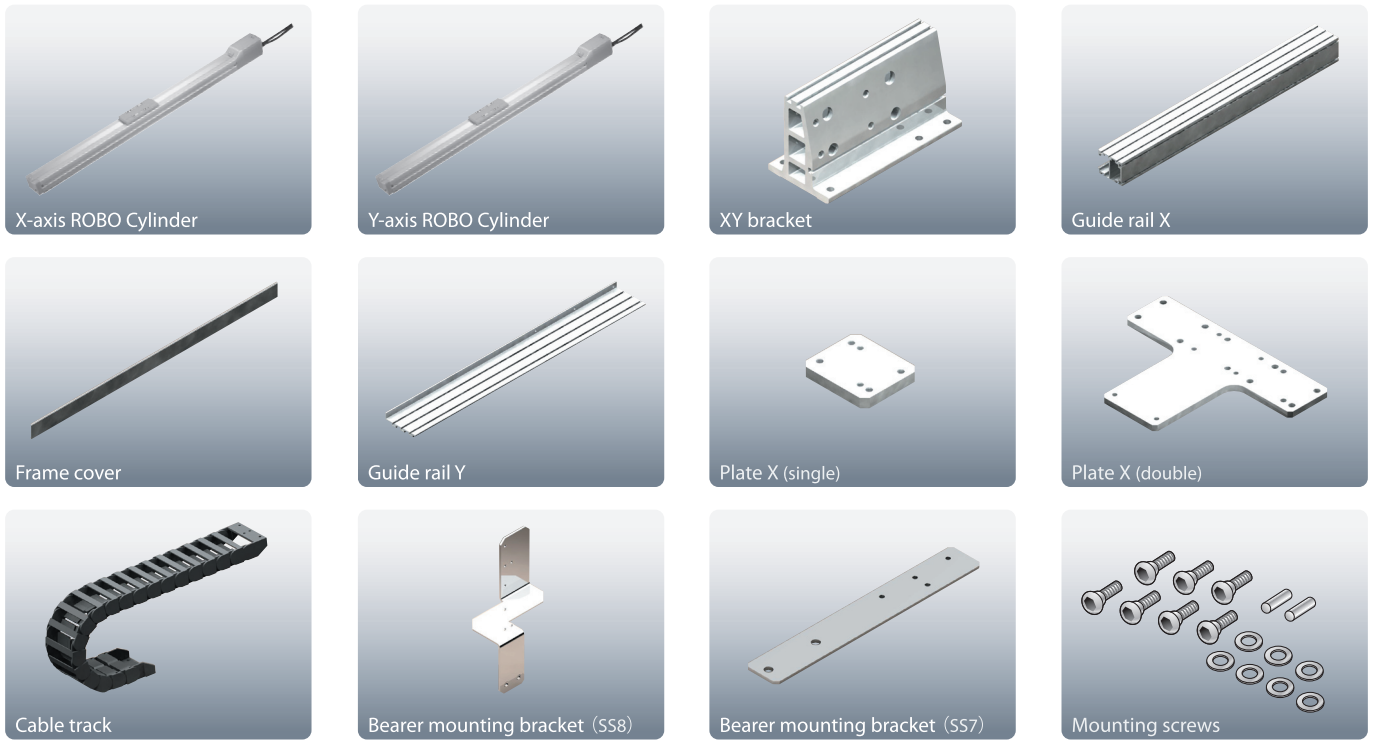
Code	Description
N	Cable only
CT	With cable track

[18]Shipping configuration

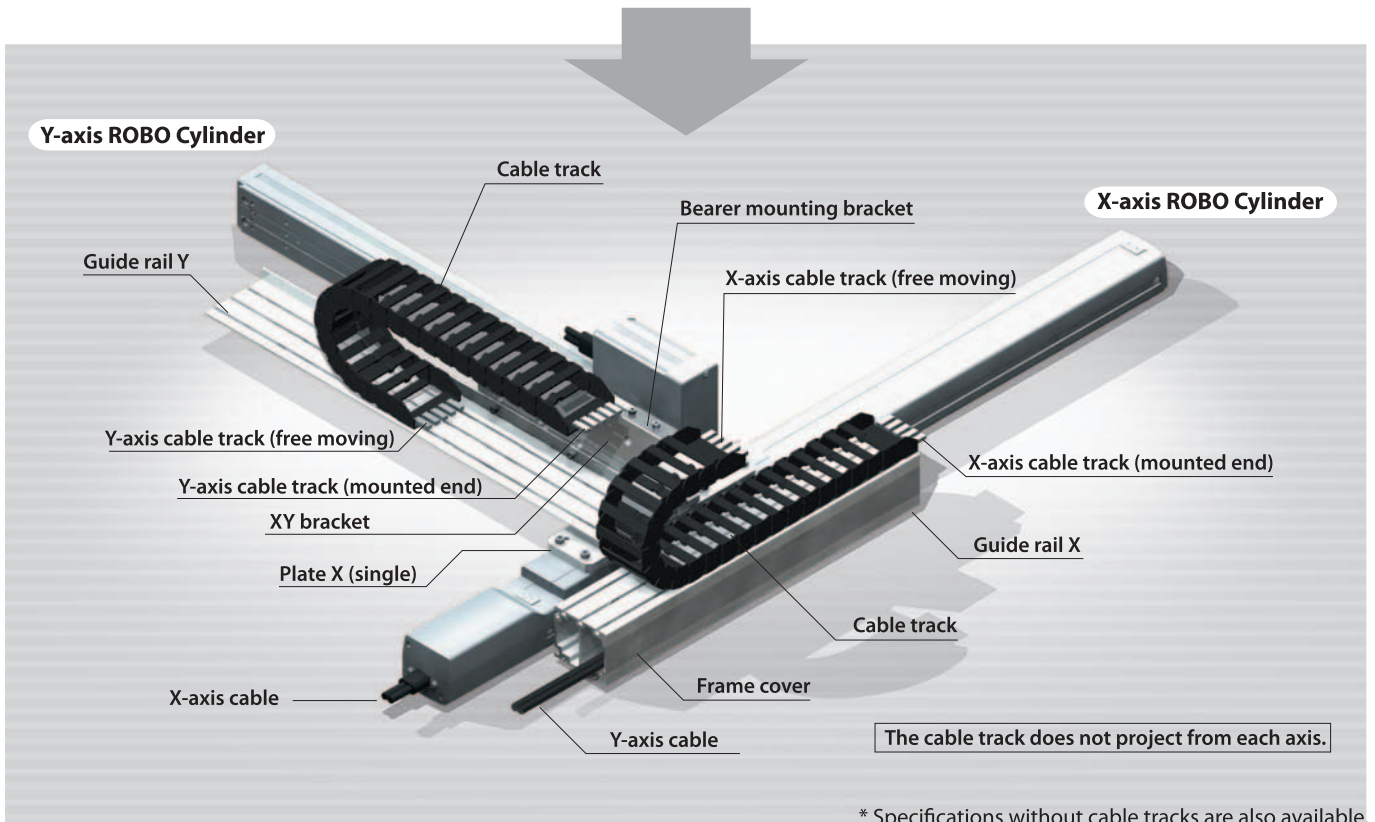
Code	Description
K	Individual components (kit)
A	Finished assembly

IA Kit

The IA kit is a set of the following components needed to assemble a cartesian robot robot.



Note: The above images are provided for reference purposes only. The actual components may vary depending on the combination type, direction, etc.



* Specifications without cable tracks are also available.