

**AQ Seal**

**Automatic Quantum Lubricating Seal  
minimizes long term maintenance.**

# AQ Seal **Minimizes long term maintenance.**

## Characteristics:

- This seal is made of a material that is impregnated with lubrication oil.
- The AQ Seal option provides long term maintenance free operation and is available upon request from the customer.
- The lubrication oil is released when the unit contacts the guide and the surface of the rolling steel balls. Thus, long term maintenance free operation is possible.

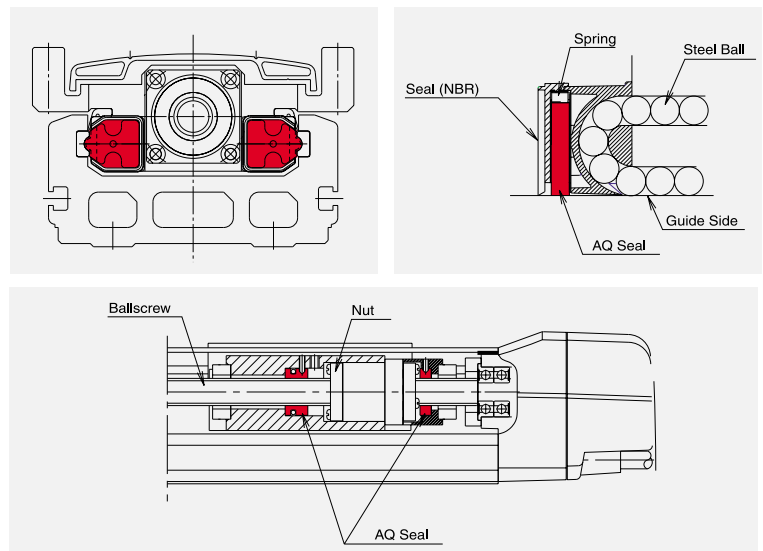
## Effects of the AQ Seal:

- Troublesome greasing work can be reduced to minimal frequency.  
(Long term maintenance free operation of 5000km or 3 years between applications of grease)
- Practical for systems where greasing work is hard to perform.
- Environmentally friendly. Since less grease will be applied, the operation environment can be kept clean.

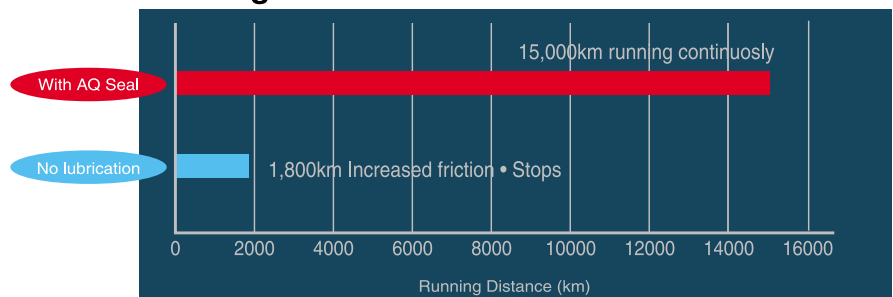
## Model Type

Please specify AQ at the end of the actuator model type.

Example:  
IS-S-X-M-16-60-300-AQ  
RC-S5-H-400-AQ



## Running Test Data



**AQ Seal Flyer**  
**Catalog No. 011500**

Providing quality products since 1986.



IAI America, Inc. (U.S. Headquarters)  
2360 West 205th Street, Torrance, CA 90501  
(800) 736-1712 (310) 320-4553 FAX

## U.S. Sales Offices

IAI America, Inc. (Illinois Regional Office)  
1261 Hamilton Parkway, Itasca, IL 60143  
(800) 944-0333 (630) 467-9912 FAX

[www.iaiamerica.com](http://www.iaiamerica.com)